



# VERSA

DISTRIBUTION BOARDS



For more information

Call 1300 36 26 26 | [sales@colterlec.com.au](mailto:sales@colterlec.com.au) | [www.colterlec.com.au](http://www.colterlec.com.au)

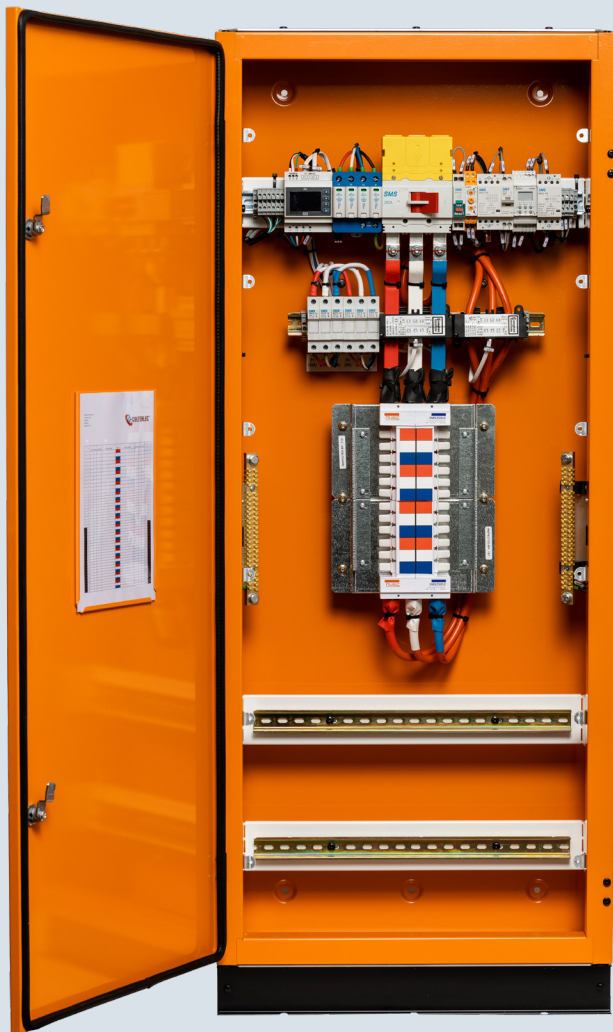


# VERSA

DISTRIBUTION BOARDS

Colterlec Versa Distribution Boards have been designed and built in Australia for all domestic, commercial, and light industrial applications.

Unlike competitor distribution boards Versa offers unique versatility for adaption to most specifications or site standards. Meeting AS/NZS 61439 compliance and an indoor IP54 rating, the VERSA is well equipped to meet your requirements.



## FEATURES

- Designed in Accordance with AS/NZS 61439
- IP54 Rating (Indoor)
- 250A Main Switch
- 250A Chassis Busbar
- Power Chassis (Top Chassis)
- Lighting Chassis (Bottom Chassis)
- Material - 1.5mm Steel
- Mullions - 1.5mm Steel
- Gland Plates - 3mm Aluminium
- Finish - Pre-Treatment Zinc Phosphate to AS4506
- Cubicle and Door - Powder Coated X15 Orange
- Escutcheon and Equipment Plates - Powder Coated White
- Brackets and Rails - Galvanised
- Door - LHS hinged, reversable, double returned and fitted with brass lift-off pintle hinges (painted black) and quarter turn handles, Keyed CL001
- Brass Earth and Neutral Links - Two Screws per Tunnel with 2 x M8 Main Studs

## OPTIONAL EXTRAS

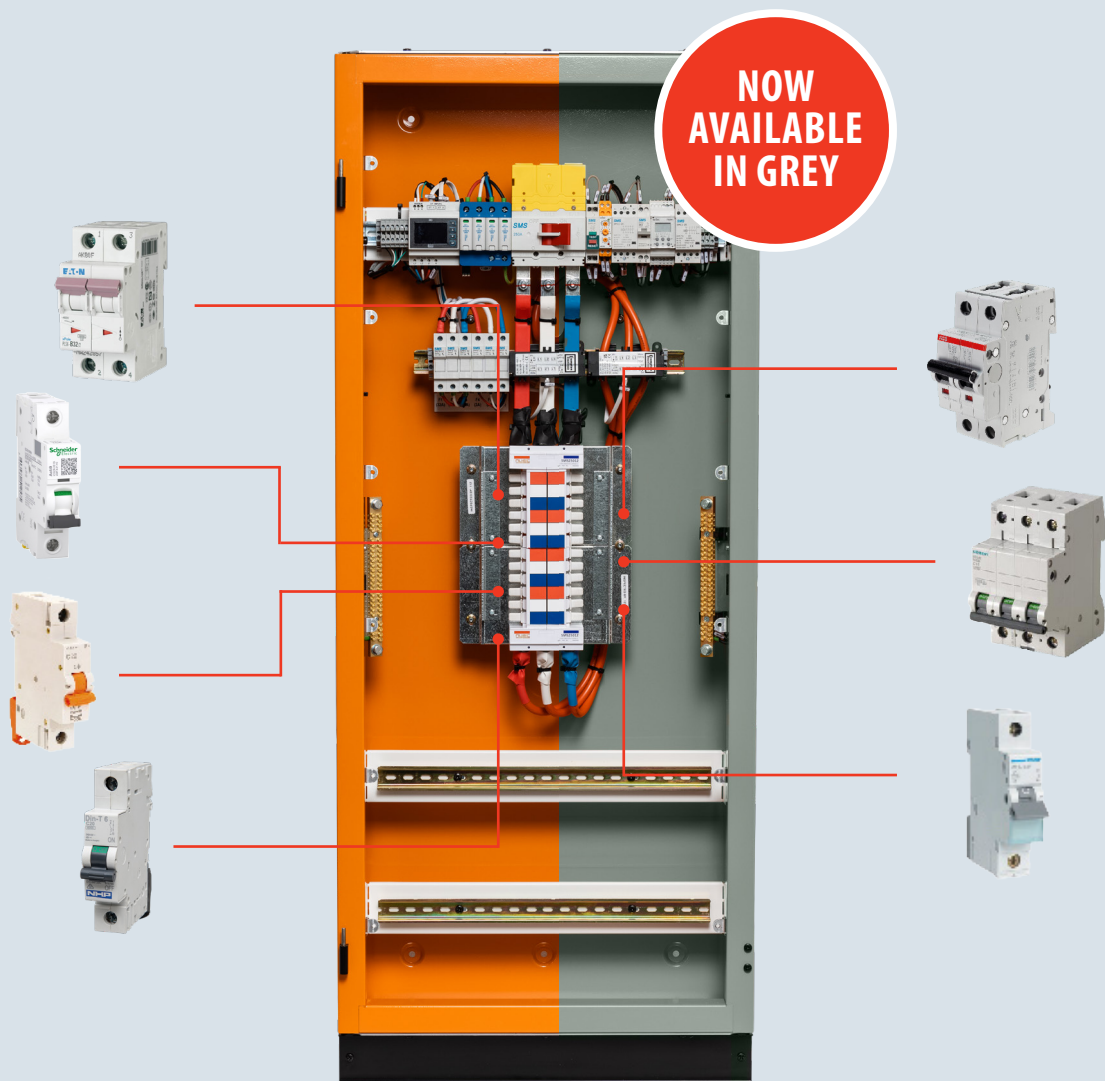
- Single / Dual Load Metering
- Surge Protection
- Emergency Lighting Test Kit
- External Lighting Kit



# VERSATILE

Colterlec Versa Distribution Boards unique chassis design offers unmatched versatility by accommodating multiple industry leading Miniature Circuit Breaker brands.

Our tested design provides users with the flexibility and freedom to choose components based on existing site requirements and preference.

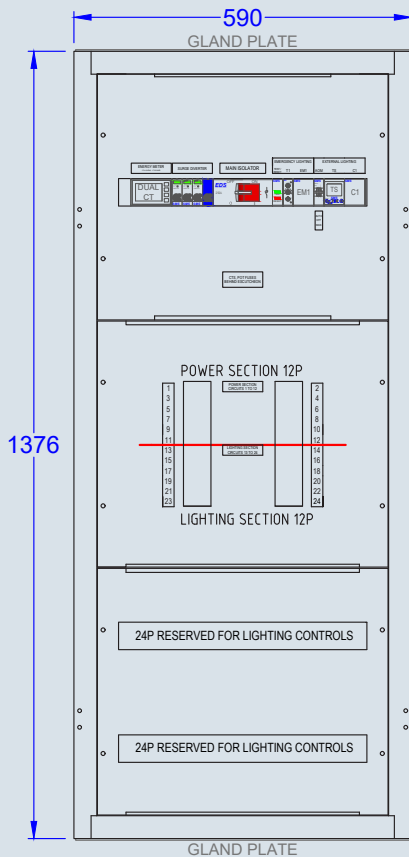




# VERSA

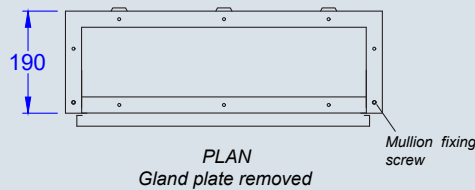
DISTRIBUTION BOARDS

## TYPICAL CONSTRUCTION DIAGRAM

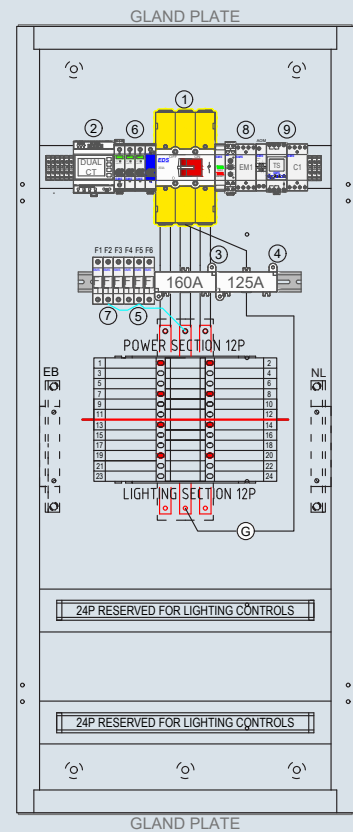


LINE INDICATES  
END OF POWER CHASSIS &  
START OF LIGHTING CHASSIS.  
  
THEY ARE TWO SEPARATE  
ENCAPSULATED CHASSIS  
FITTED DIRECTLY ONE ABOVE  
THE OTHER.

ELEVATION  
Escutcheon Layout



PLAN  
Gland plate removed



EQUIPMENT LIST			
ITEM	QTY	PART NO.	DESCRIPTION
①	1	EDS2503P	EDS 250 AMP 3 Pole Load Break Switch
②	1	INTEGRA DL1-01	Crompton Dual RJ12 Plug-In CT Meter c/w RS485
③	1	DL3N1-35-160/0.1	Crompton RJ12 160A/100mA CT 21 x 25 Window 35mm Centres
④	1	DL3N1-35-125/0.1	Crompton RJ12 125A/100mA CT 21 x 25 Window 35mm Centres
⑤	3	SMFS-32	SMS 10X38 Fuse Holder C/W 2A Fuse
⑥	1	DT230040R	Erico 50kA Surge Diverter Type 2 300V 4 0
⑦	3	SMFS-32	SMS 10X38 Fuse Holder C/W 32A Fuse
⑧	1	SMSELK	Emergency Lighting Test Kit
⑨	1	SMSEXLK	External Lighting Kit



# VERSA DUAL CHASSIS METERED DISTRIBUTION BOARDS

Includes 250A Main Switch and Dual Load Metering

POWER CHASSIS	LIGHTING CHASSIS	HEIGHT (mm)	PART NUMBER
12	12	944	VER-12-12*
12	18	1160	VER-12-18*
12	24	1160	VER-12-24*
12	30	1160	VER-12-30*
12	36	1160	VER-12-36*
12	48	1376	VER-12-48*
12	60	1376	VER-12-60*
12	72	1592	VER-12-72*
12	84	1592	VER-12-84*
18	12	1160	VER-18-12*
18	18	1160	VER-18-18*
18	24	1160	VER-18-24*
18	30	1160	VER-18-30*
18	36	1376	VER-18-36*
18	48	1376	VER-18-48*
18	60	1592	VER-18-60*
18	72	1592	VER-18-72*
18	84	2024	VER-18-84
24	12	1160	VER-24-12*
24	18	1160	VER-24-18*
24	24	1160	VER-24-24*
24	30	1376	VER-24-30*
24	36	1376	VER-24-36*
24	48	1376	VER-24-48*
24	60	1592	VER-24-60*
24	72	1592	VER-24-72*
24	84	2024	VER-24-84
24	96	2024	VER-24-96
30	12	1160	VER-30-12*
30	18	1160	VER-30-18*
30	24	1376	VER-30-24*
30	30	1376	VER-30-30*
30	36	1376	VER-30-36*
30	48	1592	VER-30-48*
30	60	1592	VER-30-60*
30	72	2024	VER-30-72

POWER CHASSIS	LIGHTING CHASSIS	HEIGHT (mm)	PART NUMBER
36	12	116	VER-36-12*
36	18	1376	VER-36-18*
36	24	1376	VER-36-24*
36	30	1376	VER-36-30*
36	36	1376	VER-36-36*
36	48	1592	VER-36-48*
36	60	1592	VER-36-60*
36	72	2024	VER-36-72
48	12	1376	VER-48-12*
48	18	1376	VER-48-18*
48	24	1376	VER-48-24*
48	30	1592	VER-48-30*
48	36	1592	VER-48-36*
48	48	1592	VER-48-48*
48	60	2024	VER-48-60
48	72	2024	VER-48-72
60	12	1376	VER-60-12*
60	18	1592	VER-60-18*
60	24	1592	VER-60-24*
60	30	1592	VER-60-30*
60	36	1592	VER-60-36*
60	48	2024	VER-60-48
72	12	1592	VER-72-12*
72	18	1592	VER-72-18*
72	24	1592	VER-72-24*
72	30	2024	VER-72-30
72	36	2024	VER-72-36
72	48	2024	VER-72-48
84	12	1592	VER-84-12*
84	18	2024	VER-84-18
84	24	2024	VER-84-24
96	12	2024	VER-96-12
96	18	2024	VER-96-18
96	24	2024	VER-96-24





# VERSA

DISTRIBUTION BOARDS

## VERSA SINGLE CHASSIS DISTRIBUTION BOARDS

Includes 250A Main Switch and Option for Metering

WITH METER		
CHASSIS	HEIGHT (mm)	PART NUMBER
12	944	VER-12M*
24	944	VER-24M*
36	1160	VER-36M*
48	1160	VER-48M*
60	1376	VER-60M*
72	1376	VER-72M*
84	1592	VER-84M*
96	1592	VER-96M*

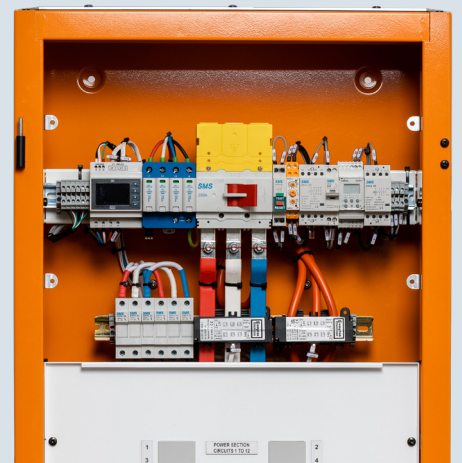
WITHOUT METER		
CHASSIS	HEIGHT (mm)	PART NUMBER
12	728	VER-12*
24	728	VER-24*
36	944	VER-36*
48	944	VER-48*
60	1160	VER-60*
72	1160	VER-72*
84	1376	VER-84*
96	1376	VER-96*

*	DESCRIPTION	ADD HEIGHT (mm)
1DR	+ 1 Row DIN Rail (Bottom)	216
2DR	+ 2 Row DIN Rail (Bottom)	432
PL	Black Powder Coated Plinth	75

**Example Order No. VER-84M-1DR-PL**

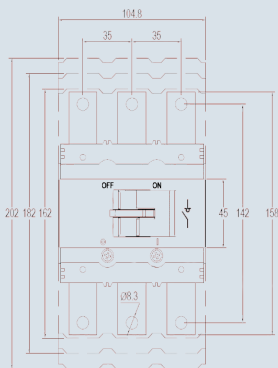
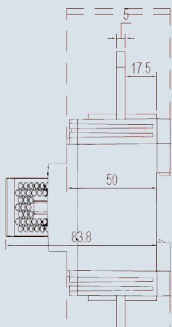
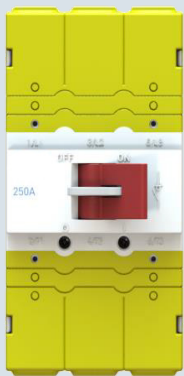
- 84P Chassis
- SL1-01 Meter
- 1 Row DIN Rail
- Black Powdered Coated Plinth (overall height now 1667mm)

**NOW AVAILABLE IN GREY**





## Versa Main Switch Datasheet



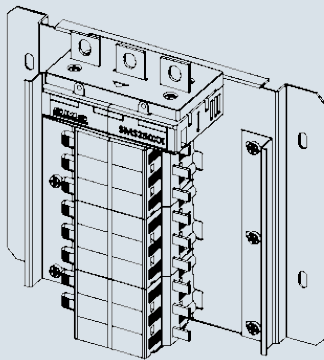
PART NUMBER	DESCRIPTION
VER-EDSMS3250	250 AMP 3 Pole Load Break Switch
<b>Test Standard</b>	
<b>Nominal Ratings</b>	
Rated Insulation Voltage, $U_i$ (V)	690
Rated Thermal Current $I_{th}$ (I)	250
Nominal Switching Current ( $I_e$ ) (A)	250
<b>Rated Operational Current (A)</b>	
AC-21B, AC-22B, AC-23B,	250 (@400/415VAC)
<b>Rated Operational Power for 3 Phase (1500rpm) Squirrel Cage Induction Motor (kW)</b>	
AC-23B	90 (@400/415VAC)
Impulse Withstand Voltage, $U_{imp}$ (kV)	6
Rated Short Circuit Making Capacity, $I_{cm}$ (kA)	7
Rated Short Time Withstand Current (1 sec), $I_{cw}$ (kA)	5
Max Let Through Current Withstand, $I_{pk}$ (kA)	21
A2s Value	2.5E +07
<b>Rated Fused Short Circuit</b>	
Back Up Fuse (A)	250
RMS Value (kA)	50
AC-23B	2500/ 3 times (@400/415VAC)
<b>Electrical Endurance (Operations)</b>	
With Load	200
Without Load (Cycles)	1400
Terminals/ Bolt Size	M8
Mechanical Endurance (Operations)	16000
Max Cable Size	120mm <sup>2</sup>
Required Terminal Torque (Nm)	15-22
<b>Locking Facilities</b>	
Lock Off	Built in for M6 Padlock
Lock On	Knockout for M6 Padlock

This switch has been designed and tested to be compliant to AS/NZS61439 as a 250A rating inside an enclosure. Variation to tested enclosure size will require individual confirmation of compliance.



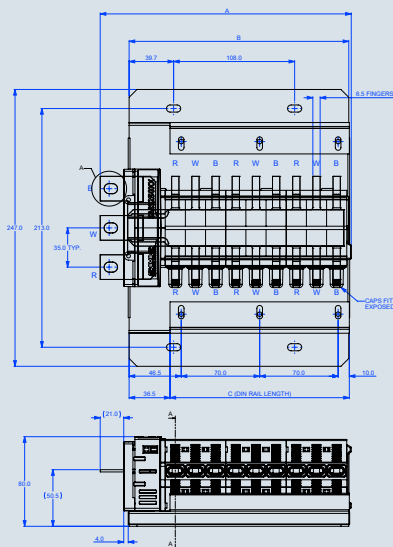
# VERSA

DISTRIBUTION BOARDS



## 250 CHASSIS

- 250A Enclosed Bus Bar Circuit Breaker Chassis
- Three Phase Top or Bottom Connection with covers over connections
- Tested to suit multiple circuit breaker brands
- Icw Rating: 20kA for 0.2 sec / 17kA for 0.25 sec
- 250A 27mm Pitch Chassis available on request
- Isolation Chassis available on request
- Circuit breaker brand to be specified on order
- Top or bottom feed to be specified on order



PART NUMBER	DESCRIPTION
VER-NC12W	VERSA CHASSIS - 250A 12P 18mm PITCH
VER-NC18W	VERSA CHASSIS - 250A 18P 18mm PITCH
VER-NC24W	VERSA CHASSIS - 250A 24P 18mm PITCH
VER-NC30W	VERSA CHASSIS - 250A 30P 18mm PITCH
VER-NC36W	VERSA CHASSIS - 250A 36P 18mm PITCH
VER-NC48W	VERSA CHASSIS - 250A 48P 18mm PITCH
VER-NC60W	VERSA CHASSIS - 250A 60P 18mm PITCH
VER-NC72W	VERSA CHASSIS - 250A 72P 18mm PITCH
VER-NC84W	VERSA CHASSIS - 250A 84P 18mm PITCH
VER-NC96W	VERSA CHASSIS - 250A 96P 18mm PITCH



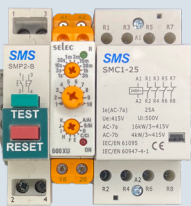


## METERING



DIGITAL METERS	
SL1-01	INTEGRA Single Load Meter
DL1-01	INTEGRA Dual Load Meter
TL1-01	INTEGRA Tri Load Meter
DRS-CT-3P-MOD-2T	3 Phase, CT Operated 415V 1 x MODBUS RTU
DRS-100-3P-MOD-01	3 Phase, Direct Connect 100A, 415V 1 x MODBUS RTU
DRS-100-1P-MOD-01	Single Phase, Direct Connect, 100A 240V 1 x MODBUS RTU
Ri3-01	INTEGRA Ri3 Dig. 3 Phase CT Meter
3-IN-1 CURRENT TRANSFORMERS to suit SL1-01, DL1-01 AND TL-01	
DL3N1-35-60/0.1	60/0.1 CT with RJ12 Connection 35mm Phase Centres
DL3N1-35-125/0.1	125/0.1 CT with RJ12 Connection 35mm Phase Centres
DL3N1-35-160/0.1	160/0.1 CT with RJ12 Connection 35mm Phase Centres
DL3N1-35-250/0.1	250/0.1 CT with RJ12 Connection 35mm Phase Centres
3-IN-1 CURRENT TRANSFORMERS	
M3N1-35-100/5	100/5 3 in 1 Current Transformer 35 mm Phase Centres
M3N1-35-125/5	125/5 3 in 1 Current Transformer 35 mm Phase Centres
M3N1-35-150/5	150/5 3 in 1 Current Transformer 35 mm Phase Centres
M3N1-35-160/5	160/5 3 in 1 Current Transformer 35 mm Phase Centres
M3N1-35-200/5	200/5 3 in 1 Current Transformer 35 mm Phase Centres
M3N1-35-250/5	250/5 3 in 1 Current Transformer 35 mm Phase Centres

## LIGHTING CONTROL CIRCUITS



PART NUMBER	DESCRIPTION
ELKIT4P	Emergency Lighting Test Kit
EXTKIT4P	External Lighting Kit

## SURGE PROTECTION



PART NUMBER	DESCRIPTION	PROTECTION
DT230031R	50kA - DT2 DIN Rail Surge Protection Class II, 3+1 Mode	3-Phase, I <sub>max</sub> =50kA, I <sub>n</sub> 20kA, U <sub>p</sub> =1500V, U <sub>c</sub> =300V, U <sub>t</sub> =442V
DT230040R	50kA - DT2 DIN Rail Surge Protection Class II, 4+0 Mode	3-Phase, I <sub>max</sub> =50kA, I <sub>n</sub> 20kA, U <sub>p</sub> =1500V, U <sub>c</sub> =300V, U <sub>t</sub> =442V
DT230010R	50kA - DT2 DIN Rail Surge Protection Class II, 1+0 Mode	1-Phase, I <sub>max</sub> =50kA, I <sub>n</sub> 20kA, U <sub>p</sub> =1650V, U <sub>c</sub> =300V, U <sub>t</sub> =442V



---

Proudly Australian owned and operated, Colterlec is a supplier of exceptionally high quality industrial electrical and automation products and solutions around Australia.

Colterlec's strength has always been our experienced and qualified team, who continually offer outstanding technical support and exceptional customer service, as well as our partnerships with leading global suppliers. We are a reliable and trusted supply partner for major industries including wholesalers, mining, manufacturing, water treatment, infrastructure, oil and gas, food and beverage plants.

Our mission is to provide our stakeholders with quality services and solutions that exceed their expectations - **every single time.**

Newcastle • Sydney • Wollongong • Canberra • Queensland • South Australia • Victoria • Western Australia • Tasmania • Northern Territory



For more information

Call 1300 36 26 26 | [sales@colterlec.com.au](mailto:sales@colterlec.com.au) | [www.colterlec.com.au](http://www.colterlec.com.au)