

FREQUENTLY ASKED QUESTIONS

Q: What brands of HMIs are compatible?

A: The GracePort®+ is designed to accommodate a wide variety of HMIs from several leading manufacturers. The maximum viewing area permitted is 8.69" (221mm) x 10.47" (266mm) for model #H-X-YA7 and 10.71" (272mm) x 12.49" (317mm) for model #H-X-YC7.

Q: Where should I use this?

A: It is highly recommended in harsh industrial environments such as process industries, manufacturing, and outdoor applications. The HMI cover protects your high value HMIs and other electronic components from dust, dirt, oil, water, UV rays, and other environmental contaminants found in the industrial setting.

Q: Can I order an HMI with my GracePort+?

A: While the GracePort®+ is built to accommodate HMIs, they are sold separately from their respective manufacturers and distributors.

Q: What is the IP Rating?

A: All HMI covers kits meet the IP66 rating as defined by IEC 60529.

Q: How do I ensure proper installation?

A: An installation guide is included in the product shipment that contains a to-scale mounting template. Special care should be taken to shield sensitive components from metal shavings and/or debris.

Q: What tools will I need for proper installation?

A: You will need a cutting tool appropriate for material being removed, centering punch, hammer, 7/32 to 1/4 drill bit, drill, file or equivalent deburring tool, 3/8 Wrench or socket and appropriate driver, #2 Philips screwdriver and an inch pound torquing device.

Q: Are all these cover kits UL Listed?

A: The standalone HMI cover kit is UL Listed. Use UL Type 1 GracePort® along with the HMI Cover Kit to maintain your cabinets environmental rating.

Q: Are the housings lockable?

A: Yes, the housing is constructed with a latch that supports a standard padlock. Padlock not included.

Q: Can this be installed in outdoor environments?

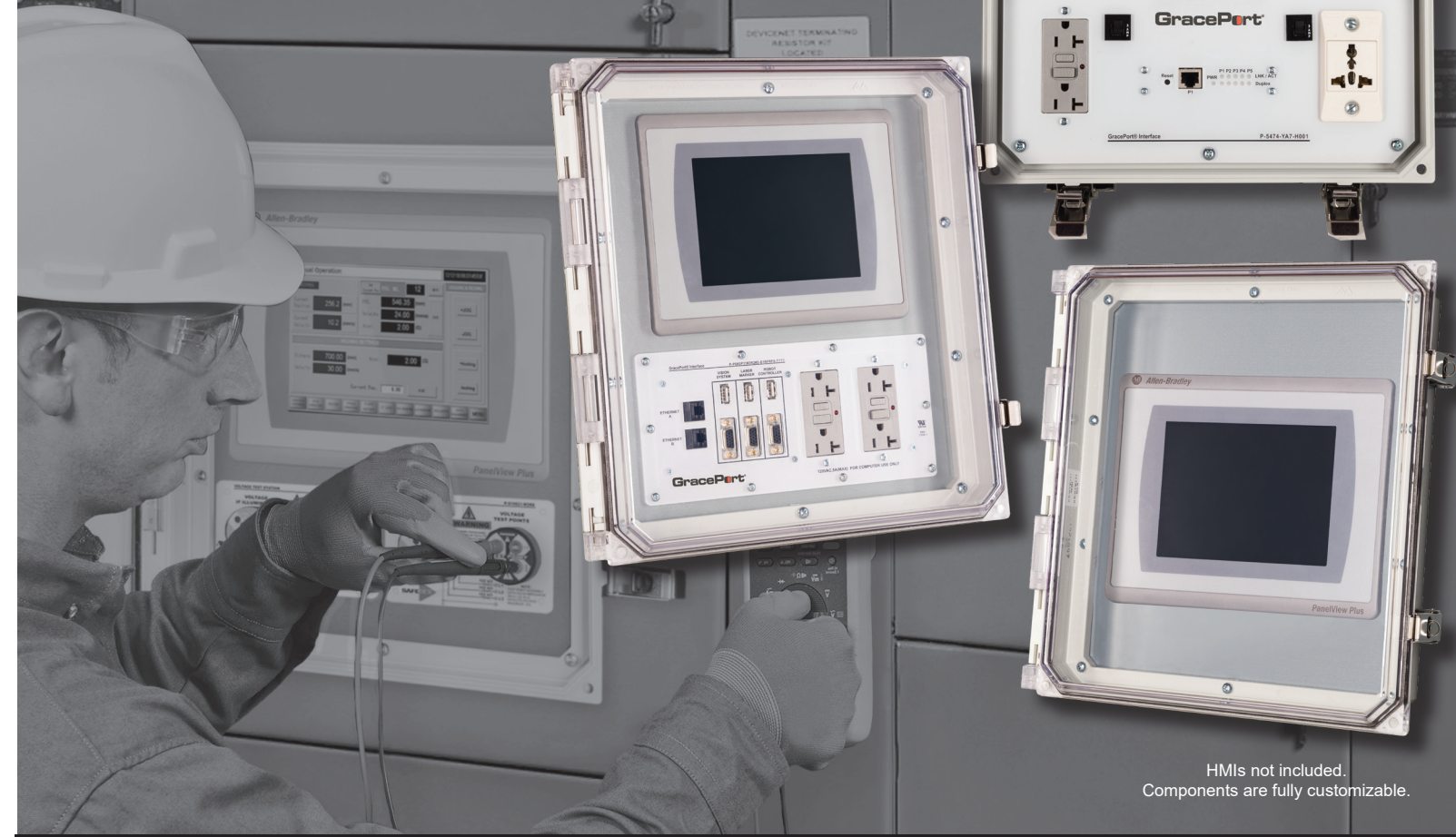
A: Yes, equipment can be mounted within the HMI covers in outdoor applications environmental ratings of UL Type 4X. The housings are also UV rated to protect from the damaging effect of UV light.

Q: Can I get my company logo printed on the faceplate?

A: Absolutely. Custom logo and text options are available on the GracePort®+ faceplate. The recommended file resolution is 600dpi .jpg for submitted text and logos. Contact your local sales representative for more details.

GRACEPORT®+

Keeping people safe and assets secure.



HMI's not included.
Components are fully customizable.

GRACEPORT®+ FEATURES

- GracePort®+ is a UL Listed large housing that protects Human Machine Interfaces (HMIs) and other valuable electrical components with the added benefit of including our custom line of GracePort® components.
- Formed-In-Place (FIP) polyurethane gasket protects HMI equipment and electronics making GracePort®+ well-suited for outdoor applications.
- Robust polycarbonate cover and corrosion resistant 316 stainless steel hinge pin design aides in protecting from environmental contaminants such as UV, dirt, dust, oil and water.
- The padlockable housing adds an additional layer of protection by only allowing authorized personnel to conveniently access GracePort®+ enclosed components.

GracePort®



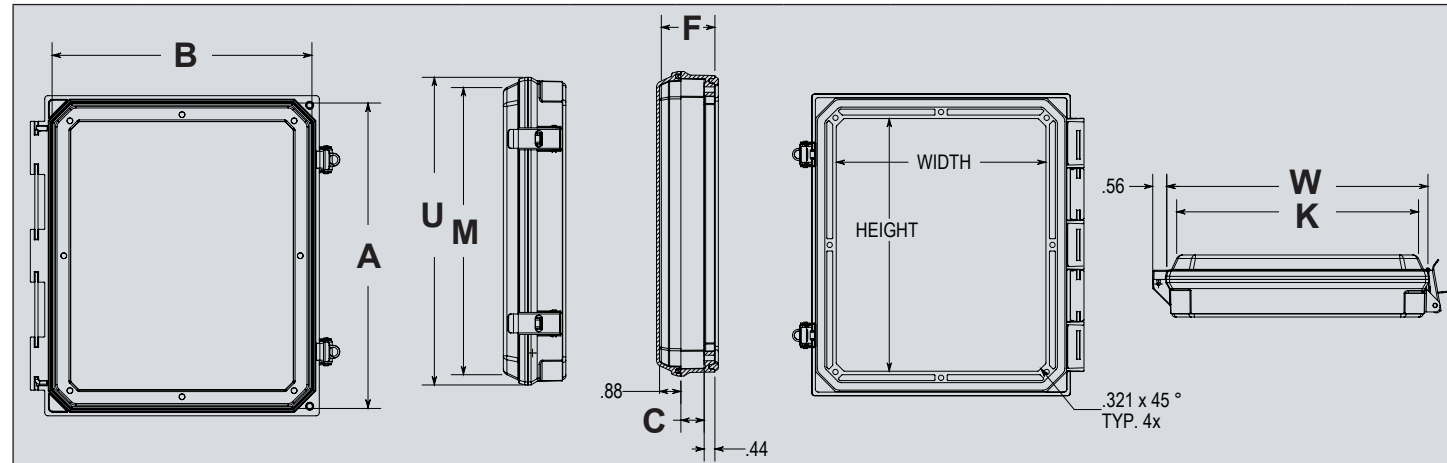
HMI not included.
Components are fully customizable.

OPERATION

GracePort®+ is a Human Machine Interface (HMI) cover kit that compliments our existing line of GracePort® components and Permanent Electrical Safety Devices (PESDs) by conveniently placing them within a large protected housing. The cover kit features a strong and rigid design, mounting securely to the outside of an enclosure and makes accessibility to electronic components easy. The GracePort®+ is designed to provide protection for valuable components from dust, dirt, oil, water, and other environmental contaminants found in the industrial setting.

The standard GracePort®+ HMI cover is UL Listed* with a Formed-In-Place (FIP) polyurethane gasket system for protection in harsh industrial environments and outdoor applications. The clear cover is made with polycarbonate thermoplastic and is UV rated.

HMI COVER SPECIFICATIONS Inches (mm)



HOUSING CODE	Frame Size Inside Dimensions			Usable Depth	Cover Size				Max Viewing Area		Nom. Wall Thickness	No. of Latches
	A	B	C		F	K	M	U	Width	Height		
H-X-YD7	9.93 [252.0]	8.15 [207.0]	0.96 [24.0]	2.27 [58.0]	7.89 [200.0]	9.67 [246.0]	8.72 [221.0]	10.5 [267.0]	6.69 [170.0]	8.47 [215.0]	0.14 [4.0]	1
H-X-YA7	11.93 [303.0]	10.15 [258]	0.96 [24.0]	2.27 [58.0]	9.89 [251.0]	11.67 [296.0]	10.72 [272.0]	12.5 [318.0]	8.69 [221.0]	10.47 [266.0]	0.14 [4.0]	2
H-X-YC7	13.95 [354.0]	12.07 [307.0]	0.96 [24.0]	2.2 [56.0]	11.89 [302.0]	13.67 [347.0]	12.72 [323.0]	14.5 [368.0]	10.71 [272.0]	12.49 [317.0]	0.19 [5.0]	2
H-X-YE7	15.87 [403.0]	14.07 [357.0]	0.96 [24.0]	2.2 [56.0]	13.89 [353.0]	14.72 [374.0]	14.72 [374.0]	16.5 [419.0]	12.71 [323.0]	14.49 [368]	0.19 [5.0]	2
H-X-YF7	19.85 [504.0]	16.07 [408.0]	0.96 [24.0]	2.27 [58.0]	15.75 [400.0]	19.53 [496.0]	16.72 [425.0]	20.5 [521.0]	14.71 [374.0]	18.49 [470.0]	0.19 [5.0]	2

Housing comes standard with clear polycarbonate cover and has top, bottom, left or right hinge mounting capabilities. Standard GracePort®+ HMI Covers are UL recognized. Final product certification will vary based on component selection. Contact your sales representative for more information.

*Standard GracePort®+ HMI Covers are UL Listed. Final product certification will vary based on component selection.

CONSTRUCTION

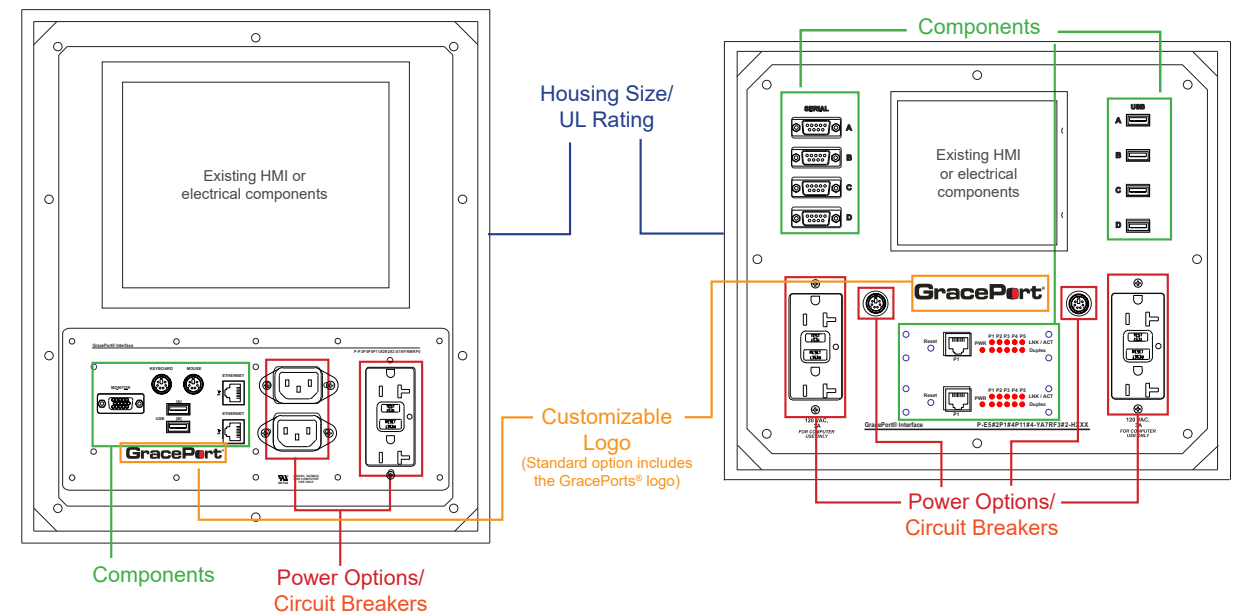
- Clear polycarbonate thermoplastic cover comes standard.
- 316 stainless steel hinge pin.
- UV stabilized for outdoor use.
- FIP polyurethane gasket in continuous channel.
- Available in UL Types 1, 3, 3R, 4, 4X, 12 or 13.

APPLICATION IDEAS

- Ideal for covering and protecting HMIs and instruments through an enclosure wall with thicknesses from 16 gauge through 1/4", while maintaining all applicable standards and classifications.
- No need to open the enclosure to view electronics or perform maintenance, decreasing arc flash risks and safety hazards.
- Suitable for protecting power relays and VFD touch panels.

CUSTOMIZABLE GRACEPORT®+ OPTIONS

Customization of the GracePort®+ provides the ability to select specific configurations to meet precise needs with Grace's line of PESDs and GracePort® components. Customers can also request special text and company logos to be printed on the faceplate. The faceplates can also be customized to provide housing for many leading manufacturers' HMIs. GracePort®+ also allows for flexible mounting with hinges on the top, bottom, left, or right along with padlockable capability.



For a complete list of housings, components, circuit breakers and power options, refer to our Literature section at: www.graceport.com

SAMPLE GRACEPORT®+ CONFIGURATIONS



GracePort®+ Fully Assembled

GracePort®+ HMI Covers with optional UL Recognized Type 1 GracePort®

HMIs not included. Special configurations available upon request. Contact your sales representative for more information.