

# EDS-G2005-ELP Series

5-port entry-level unmanaged full Gigabit Ethernet switches with plastic housing



## Features and Benefits

- Full Gigabit Ethernet ports
- Compact size for easy installation
- QoS supported to process critical data in heavy traffic
- IP40-rated plastic housing

## Certifications



## Introduction

The EDS-G2005-ELP series of industrial Ethernet switches have five Gigabit Ethernet ports and a plastic housing, which are ideal for applications that require simple industrial Ethernet connections. Moreover, to provide greater versatility for use with applications from different industries, the EDS-G2005-ELP Series also allows users to enable or disable the Quality of Service (QoS) function, and broadcast storm protection (BSP) with DIP switches on the outer panel.

The EDS-G2005-ELP Series has a 12/24/48 VDC single power input, DIN-rail mounting, and high-level EMI/EMC capabilities. In addition to its compact size, the EDS-G2005-ELP Series has passed a 100% burn-in test to ensure it will function reliably after it has been deployed. The EDS-G2005-ELP Series has a standard operating temperature range of -10 to 60°C.

## Specifications

### Ethernet Interface

10/100/1000BaseT(X) Ports (RJ45 connector)	5 Full/Half duplex mode Auto MDI/MDI-X connection Auto negotiation speed
Standards	IEEE 802.3 for 10BaseT IEEE 802.3u for 100BaseT(X) IEEE 802.3ab for 1000BaseT(X) IEEE 802.3x for flow control IEEE 802.1p for Class of Service

### Switch Properties

Processing Type	Store and Forward
MAC Table Size	4 K
Packet Buffer Size	1.5 Mbits

### DIP Switch Configuration

Ethernet Interface	Quality of Service (QoS), Broadcast Storm Protection (BSP)
--------------------	--

### Power Parameters

Connection	1 removable 3-contact terminal block(s)
Input Current	0.21 A (max.)

Input Voltage	12/24/48 VDC
Operating Voltage	9.6 to 60 VDC
Overload Current Protection	Supported
Reverse Polarity Protection	Supported

#### Physical Characteristics

Dimensions	19 x 81 x 65 mm (0.75 x 3.19 x 2.56 in)
Installation	DIN-rail mounting Wall mounting (with optional kit)
Weight	90 g (0.2 lb)
Housing	Plastic

#### Environmental Limits

Ambient Relative Humidity	5 to 95% (non-condensing)
Operating Temperature	-10 to 60°C (14 to 140°F)
Storage Temperature (package included)	-40 to 85°C (-40 to 185°F)

#### Standards and Certifications

Safety	UL 61010-2-201 EN 62368-1 (LVD)
EMC	EN 55032/35 EN 61000-6-2/-6-4
EMI	CISPR 32, FCC Part 15B Class A
EMS	IEC 61000-4-2 ESD: Contact: 6 kV; Air: 8 kV IEC 61000-4-3 RS: 80 MHz to 1 GHz: 20 V/m IEC 61000-4-4 EFT: Power: 1 kV; Signal: 1 kV IEC 61000-4-5 Surge: Power: 1 kV; Signal: 1 kV IEC 61000-4-6 CS: 10 V IEC 61000-4-8 PFMF
Shock	IEC 60068-2-27
Vibration	IEC 60068-2-6
Freefall	IEC 60068-2-32

#### MTBF

Time	3,404,784 hrs
Standards	Telcordia (Bellcore), GB

#### Warranty

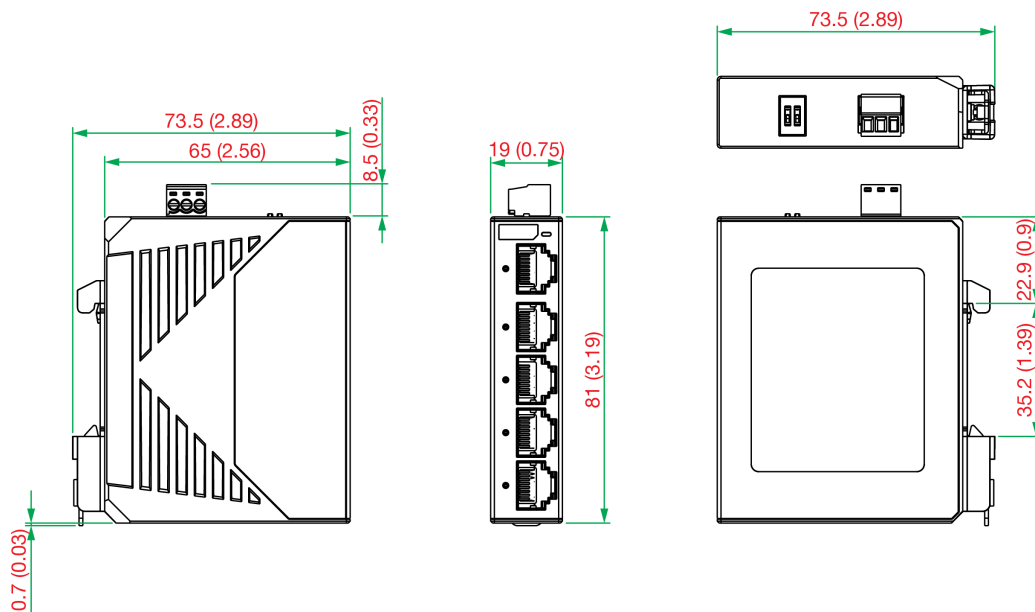
Warranty Period	5 years
Details	See <a href="http://www.moxa.com/warranty">www.moxa.com/warranty</a>

#### Package Contents

Device	1 x EDS-G2005-ELP Series switch
Documentation	1 x quick installation guide 1 x warranty card

## Dimensions

Unit: mm (inch)



## Ordering Information

Model Name	10/100/1000BaseT(X) Ports (RJ45 Connector)	Housing	Operating Temp.
EDS-G2005-ELP	5	Plastic	-10 to 60°C

## Accessories (sold separately)

### Power Supplies

DR-4524	45W/2A DIN-rail 24 VDC power supply with universal 85 to 264 VAC or 120 to 370 VDC input, -10 to 50°C operating temperature
DR-75-48	75W/1.6A DIN-rail 48 VDC power supply with universal 85 to 264 VAC or 120 to 370 VDC input, -10 to 60°C operating temperature
DR-120-24	120W/2.5A DIN-rail 24 VDC power supply with universal 88 to 132 VAC or 176 to 264 VAC input by switch, or 248 to 370 VDC input, -10 to 60°C operating temperature
MDR-40-24	DIN-rail 24 VDC power supply with 40W/1.7A, 85 to 264 VAC, or 120 to 370 VDC input, -20 to 70°C operating temperature
MDR-60-24	DIN-rail 24 VDC power supply with 60W/2.5A, 85 to 264 VAC, or 120 to 370 VDC input, -20 to 70°C operating temperature

### Wall-Mounting Kits

WK-18	Wall-mounting kit, 1 plate (18 x 120 x 8.5 mm)
-------	--

### Rack-Mounting Kits

RK-4U	19-inch rack-mounting kit
-------	---------------------------

© Moxa Inc. All rights reserved. Updated Feb 01, 2023.

This document and any portion thereof may not be reproduced or used in any manner whatsoever without the express written permission of Moxa Inc. Product specifications subject to change without notice. Visit our website for the most up-to-date product information.