

Highlights

- Multiple sensor design (up to 8 heads for 1 box)
- Plug & Play (automatic head detection from the box)
- High temperature resistance for the head up to 180°C (356°F) without cooling
- Multiple spectral ranges covered by one sensor model
- Extended temperature range for LT head up to 1000°C (1832°F)
- Dedicated 5 μm head for measuring of glass
- Laser sighting for 1M/2M sensing heads
- Spot sizes down to 0.5 mm (0.02 in) with Close Focus Lens
- Fast 10 ms response time
- Industrial rugged head cable (PUR): Silicone and Halogen free, resistant against oil, bases, and acids
- Networkable OEM head model (without a box)
- Intrinsically safe sensing heads with dedicated Ex-power supply

MI3 Heads

Datasheet



Measurement Specifications

Temperature Range	
02LTS, 10LTS, 10LTH	-40 to 600°C (-40 to 1112°F)
20LTS, LTF, 20LTH	0 to 1000°C (32 to 1832°F)
G5	250 to 1650°C (482 to 3002°F)
2M	250 to 1400°C (482 to 2552°F)
1M	500 to 1800°C (932 to 3272°F)

Spectral Response	
LTS, LTH, LTF	8 – 14 μm
G5	5 μm
2M	1.6 μm
1M	1 μm

Optical Resolution ¹	
LTS	2:1, 10:1, 22:1 typ. (21:1 guaranteed)
LTH	10:1, 22:1 typ. (21:1 guaranteed)
LTF	10:1
G5	10:1
1M, 2M	100:1
SF1 Optics	2 mm spot @ 200 mm distance 0.08 in spot @ 7.9 in distance
SF3 Optics	22 mm spot @ 2200 mm distance 0.87 in spot @ 87 in distance

Accuracy ²	
LTS, LTH, LTF, G5	± (1% of reading or 1°C) ^{3,4}
1M, 2M	± (0.5% of reading + 2°C)

Repeatability	
LTS, LTH, LTF, G5	± 0.5% of reading or ± 0.5°C ³
1M, 2M	± (0.25% of reading + 1°C)

Temperature Coefficient	
LTS, LTH, LTF, G5	± 0.05 K / K or ± 0.05% / K of reading ³
1M, 2M	± 0.01% / K of reading

Response Time ⁵	
LTS, LTH	130 ms
LTF	20 ms
G5	130 ms
1M, 2M	10 ms

Emissivity ε	
	0.100 to 1.100

Transmission	
	0.100 to 1.000

¹ 90% energy

² at ambient temperature 23°C ± 5°C (73°F ± 9°F), ε = 1.0, and calibration geometry

³ whichever is greater

⁴ ± 2°C (± 4°F) for target temperatures < 20°C (68°F)

⁵ 90% value

General Specifications

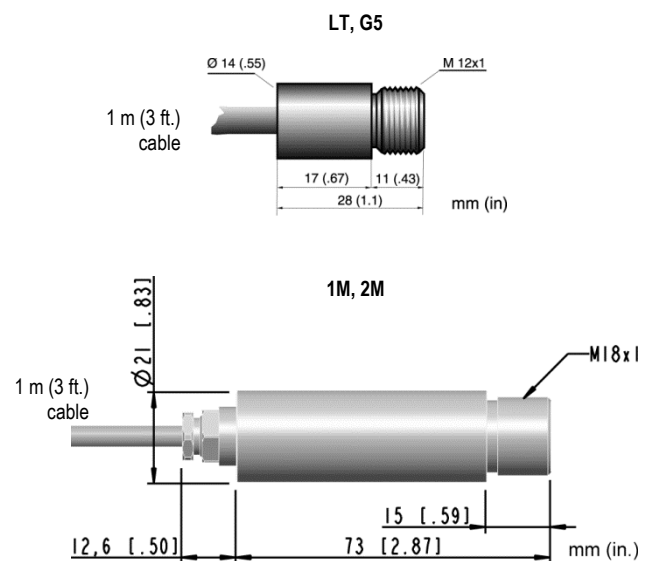
Ambient Temperature	
LTS, LTF, G5	-10 to 120°C (14 to 248°F)
LTH	-10 to 180°C (14 to 356°F)
1M, 2M	0 to 120°C (32 to 248°F)
Laser (1M, 2M)	automatic switch off at 65°C (149°F)

Storage Temperature	
LTH	-20 to 180°C (-4 to 356°F)
all other models	-20 to 120°C (-4 to 248°F)

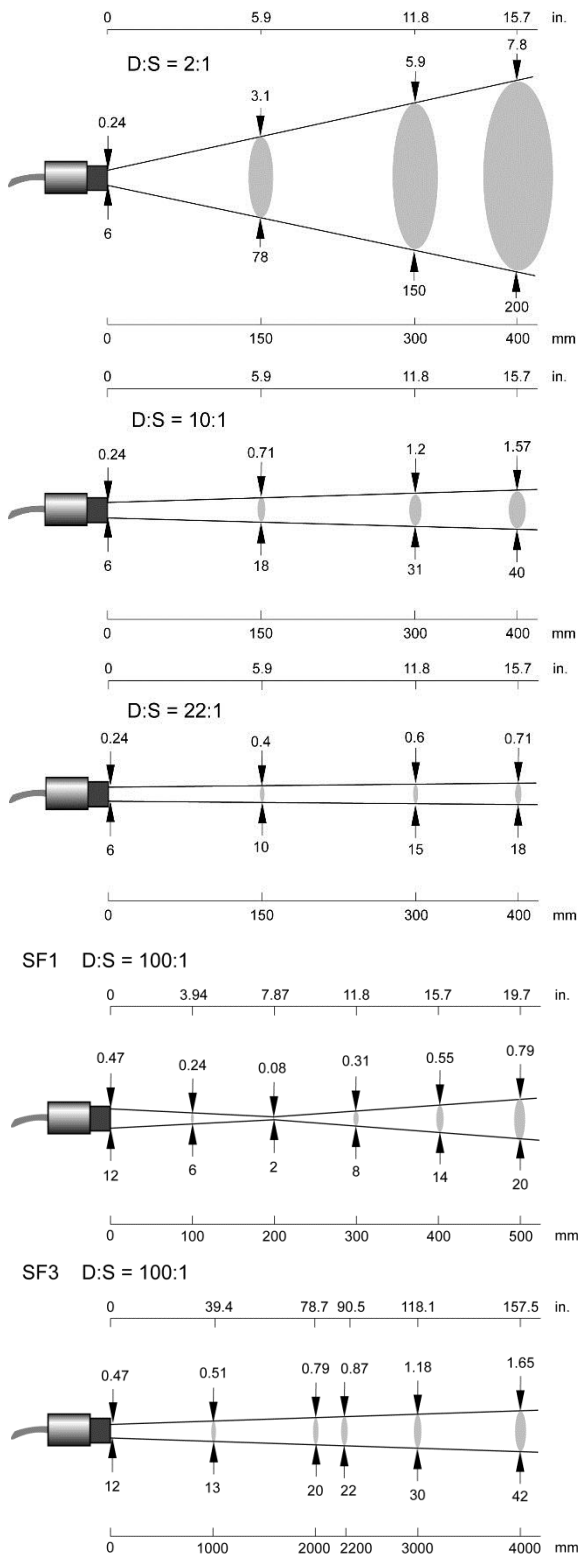
Environmental Rating	
	IP65 (NEMA-4)

EMC	
	EN 61326-1:2006

Dimensions



Optical Specifications (90% energy)



Options

Options must be specified at time of order.

- Longer head cable lengths: 3 m, 8 m, 15 m, 30 m (9.8, 26, 49, 98 ft.)
- Water cooled housing (1M, 2M heads)
- Networkable OEM sensing head without the need for a box

Water Cooled Housing (1M, 2M)



Intrinsic Safety Option

MI3/MI3100 intrinsically safe sensing heads (MI3xxxIS/MI3100xxxIS):

Certificate: BVS 12 ATEX E 140	IECEx BVS 15.0051
II 2G Ex ib IIC T4 Gb	Ex ib IIC T4 Gb
II 2D Ex ib IIIC T135°C Db	Ex ib IIC T135°C Db

MI3-LTH intrinsically safe sensing heads (MI3xxLTHIS):

Certificate: BVS 12 ATEX E 140	IECEx BVS 15.0051
II 2G Ex ib IIC T4/T3 Gb	Ex ib IIC T4/T3 Gb
II 2D Ex ib IIIC T135°C/185°C Db	Ex ib IIC T135°C/185°C Db

Ex-proof power supply (RAYMI3ACIS):

Certificate: BVS 14 ATEX E 168	IECEx BVS 15.0057
II (2)G [Ex ib Gb] IIB	[Ex ib Gb] IIB
II (2)D [Ex ib Db] IIIC	[Ex ib Db] IIIC

Accessories

Accessories include items that may be ordered at any time and added on-site:

- Adjustable Bracket (LT, G5: XXXMIACAB / 1M, 2M: XXXMI3100ADJB)
- Fixed Bracket (LT, G5: XXXMIACFB / 1M, 2M: XXXMI3100FB)
- Isolation Kit for Fixed Bracket (1M, 2M: XXXMI3100ISOKIT)
- Air Purge (LT, G5: XXXMIACAJ / 1M, 2M: XXXMI3100AP)
- Air Cooling Jacket (XXXMIACCJ: 0.8 m/2.6 ft, XXXMIACCJ1: 2.8 m/9.2 ft) for ambient temperatures up to 200°C/392°F (LT, G5 only)
- Close Focus Lens (LT, G5: XXXMIACCFL)
- Protective Window (LT, G5: XXXMIACPW / 1M, 2M: XXXMI3100PW)

Air Purge Jacket



for LT, G5 heads
(XXXMIACAJ)



for 1M, 2M heads
(XXXMI3100AP)

Fluke Process Instruments

Worldwide Service

Fluke Process Instruments offers services, including repair and calibration. For more information, contact your local office.

www.flukeprocessinstruments.com

© 2016 Fluke Process Instruments
Specifications subject to change without notice. 10/2016 – Rev. F1, 4106811



For more information
Call 1300 36 26 26 | sales@colterlec.com.au | www.colterlec.com.au