

Highlights

- Wide temperature range from -20°C to 500°C
- 13:1 optics at 90% energy
- 150 ms response time
- Scaleable 0 – 5 V output or t/c type J or K output
- Alarm output
- Sensor status/self diagnostic indicator LED
- RS232 digital communications for sensor set-up and monitoring
- Adjustable signal processing
- Rugged IP 65 stainless steel housing
- DataTemp® Multidrop software compatible
- Accessories for air purging and lens protection

General Specifications

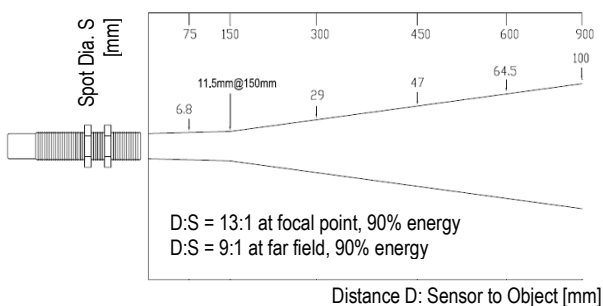
Environmental Rating	IP65
Ambient Temperature	0 to 70°C
Cable Temperature	-30 to 105°C
Storage Temperature	-20 to 85°C
Relative Humidity	10 to 95%, non-condensing
Shock	IEC 68-2-27, 50 g's, 11 ms, any axis
Vibration	IEC 68-2-27, 3 g's, any axis, 11–200 Hz
Weight	145 g (incl. 1 m cable)

Electrical Specifications

Analog Output	model specific type J or K or scaleable 0 to 5 V voltage output
Digital Output ¹	RS232 (two-way)
Alarm Output ¹	24 VDC, ±20%, < 20 mA (transistor)
Cable Length	1 m standard 3 m optional
Output Impedance (t/c)	100 Ω
Min. Load Impedance (mV)	50 kΩ
Power Supply	24 VDC, ±20%, 10 mA

¹ digital and alarm output share a common wire. User selects either alarm output or RS232 communication via Datatemp Multidrop software.

Optical Specifications



CM Datasheet



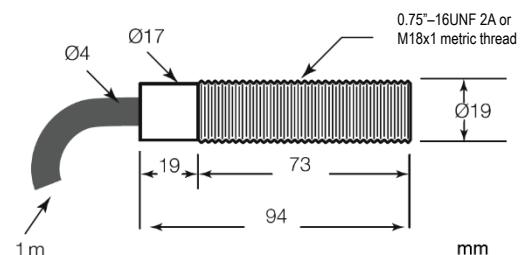
Measurement Specifications

Temperature Range	-20 to 500°C
Spectral Response	8 to 14 μm
Accuracy ¹	±1,5% of reading or ±2°C, whichever is greater ± 3,5°C for T _{meas} < 0°C
t/c ²	±1,5% of reading or ±4°C, whichever is greater ± 3,5°C for T _{meas} < 0°C
Repeatability	± 0,5% of reading or ± 1°C, whichever is greater
Temperature Resolution	0,1°C
Response Time	150 ms (95%)
Emissivity	0,10 to 1,10 (adjustable)
Transmissivity	0,10 to 1,00 (adjustable)
Signal Processing	peak hold, valley hold, variable averaging
Self diagnostics	normal operation, alarm, out of range, unstable, sensor fault
Bore-Sight tolerance	typ. 3° at focal point

¹ at 23°C ±5°C, emissivity = 0.95

² Accuracy measured on the 0-5 VDC output or RS232 for t/c models is ± 1.5% of reading or ± 2°C

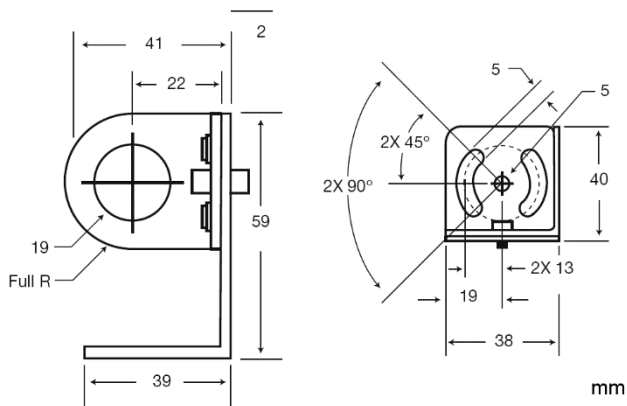
Dimensions



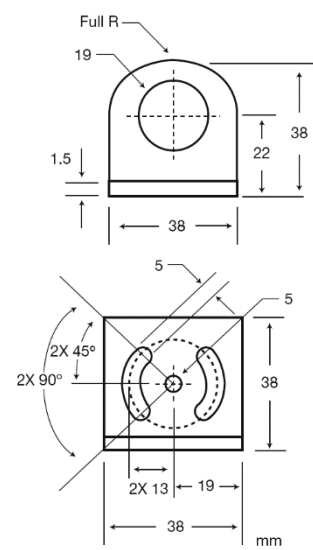
Accessories

Each sensor includes two mounting nuts, 1 m of cable, and a quick start guide.

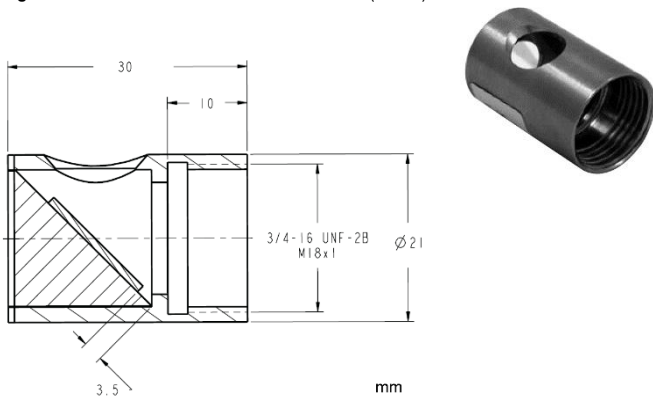
Adjustable Bracket (XXXCIADJB)



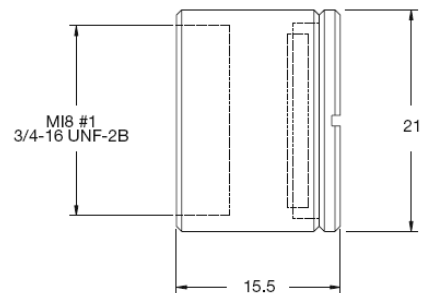
Fixed Bracket (XXXCIACFB)



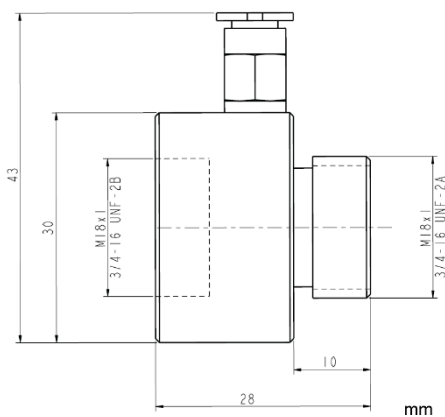
Right Angle Mirror XXXCMACRA or XXXCMACRAM (metric)



Protective Window XXXCMACPW or XXXCMACPWM (metric)



Air Purge Collar XXXCMAP or XXXCMAPM (metric)



Fluke Process Instruments

Worldwide Service

Fluke Process Instruments offers services, including repair and calibration. For more information, contact your local office.

www.flukeprocessinstruments.com

© 2016 Fluke Process Instruments
Specifications subject to change without notice. 10/2016 – Rev. B1, 59402

