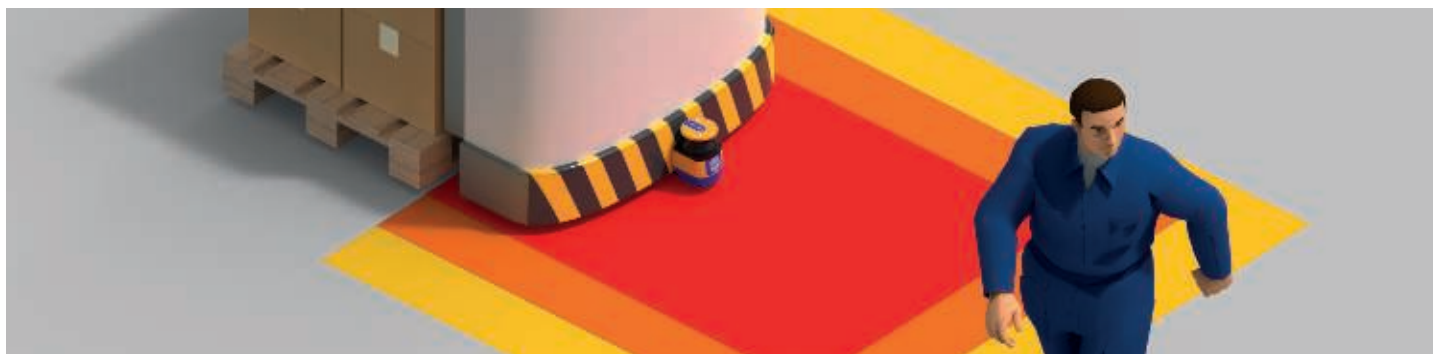


LASER SENTINEL™ ENHANCED

your sentinel for safe area protection

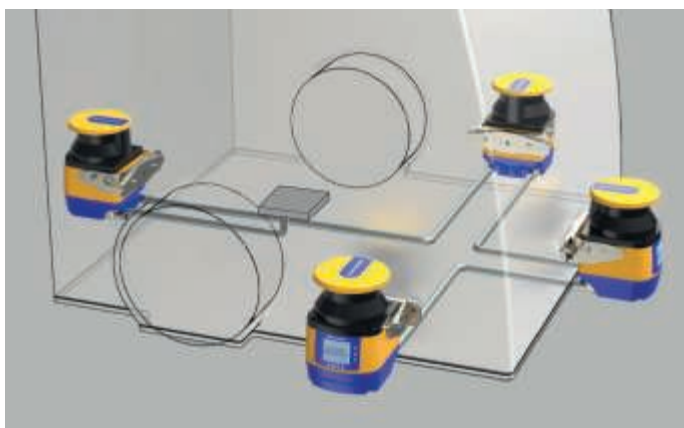


Laser Sentinel Master/Slave

- Safety Laser Scanner Type 3, Pl d, SIL 2
- 275° Opening Angle
- Up to 3 simultaneous Safety zones up to 5.5 m **NEW**
- Up to 2 simultaneous Warning Zones up to 40 m
- 30/40/50/70/150 mm detection capability **NEW**
- Selectable by Graphic User Interface
- Muting and Override functions available
- Advanced measurement data on Ethernet **NEW**
- Up to 70 zone safe set switching **NEW**
- Replaceable window **NEW**
- Master-slave connection includes seamless safe communication and power transmission
- Display with colour-based Intrusion Detection System
- Configurable outputs for general fault or "clean window" alarm
- Ethernet port on Master for programming and monitoring of whole system by a single point
- 8/12/17 pins M12 connectors for standard cabling
- Encoder inputs for speed monitoring **NEW**
- Fast replacement with memory backup **NEW**
- Partial dynamic muting **NEW**

SLS-M (Master) and up to three SLS-R (Slave) can be connected without need of additional external unit to form a consistent safety system that share safety and warning zones over all devices.

Available functions make it possible to protect static horizontal or vertical applications, as well as moving applications.



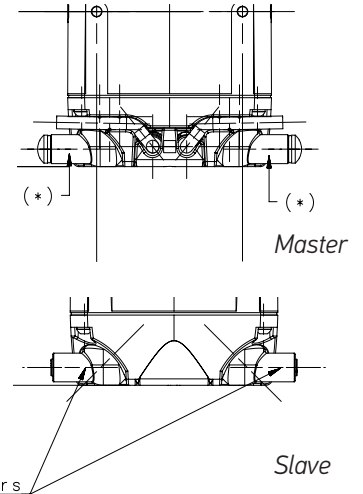
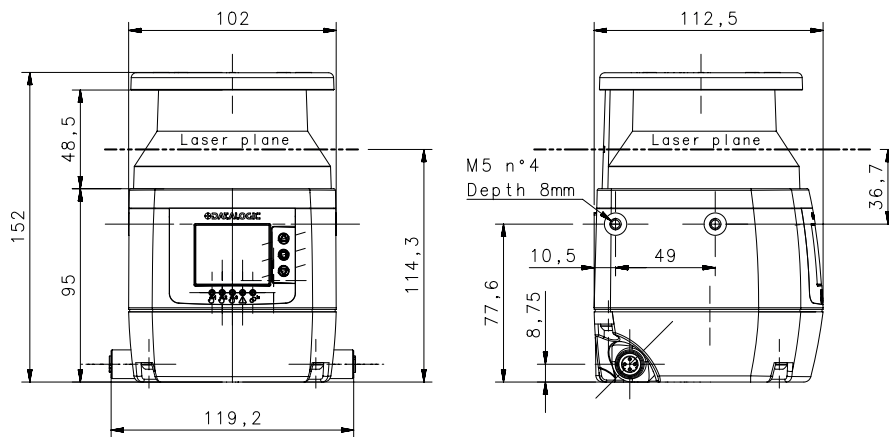
TECHNICAL DATA MASTER/ SLAVE MODEL (SLS-M/R)

COLOR INTRUSION DETECTION SYSTEM

General data	Type (EN61496-1)	3
	PL (EN ISO 13849-1)	d
	SIL (IEC 61508)	2
Detection data	Detection capability	30/40/50/70/150 mm selectable
	Angular resolution	0.1°
	Safety zone operating range	0.05 ... 5.5 m
	Warning zone max operating range	0.05 ... 40 m
	Max. number of simultaneous warning zones	2
	Max. number of simultaneous safety zones	3
Electrical data	Max. opening angle	275°
	Response time (Configurable)	Min: 62 ms; Max: 482 ms
	Power supply (Vdd)	24 Vdc ± 20%
	Safety Outputs (OSSDs)	2
	Output current	0.25 A max / each OSSD
	Capacitive load	2.2 uF @ 24Vdc max
Mechanical and environmental data	Configurable Inputs	8pin: 2; 12pin: 4; 17pin: 4; 17+8pin:4
	Configurable Inputs/Outputs	8pin: 1; 12pin:4; 17pin: 6; 17+8pin:14
	Operating temperature	-10...+50 °C
	Storage temperature	-20...+70°C
	Humidity	15 ... 95 % (no condensation)
	Mechanical protection	IP 65 (EN 60529)
Functions	Manual / automatic restart	
	Dynamic switching between zone sets	
	Warning area intrusion detection	
	Total Muting (T or L)	
	Reference Points	
	Override	
	Muting Lamp	
	Advanced measurement data	
	"Clean Window" alarm	
	Partial dynamic muting	
	Fast replacement	



DIMENSIONS



I/O CONNECTOR

CONNECTOR (M12, 8-POLE)	
	SIGNAL
POWER	2 POWER SUPPLY 7 GND_ISO
INPUT/OUTPUT	3 MULTI IN 4 MULTI IN
SAFETY OUTPUTS	1 MULTI IN/OUT 5 OSSD11 6 OSSD12
OTHER	8 F_EARTH

CONNECTOR (M12, 12-POLE)	
	SIGNAL
POWER	1 POWER SUPPLY 4 POWER SUPPLY 2 GND_ISO 6 GND_ISO
INPUT/OUTPUT	3 MULTI IN 7 MULTI IN/OUT 9 MULTI IN/OUT 10 MULTI IN/OUT 11 MULTI IN/OUT
SAFETY OUTPUTS	8 OSSD11 5 OSSD12
OTHER	12 F_EARTH

CONNECTOR (M12, 17-POLE)	
	SIGNAL
POWER	1 POWER SUPPLY 10 POWER SUPPLY 11 POWER SUPPLY 2 GND_ISO 3 GND_ISO 12 GND_ISO
INPUT	14 MULTI IN 7 MULTI IN 6 MULTI IN 17 MULTI IN 4 MULTI IN 15 MULTI IN
OUTPUT	4 MULTI IN/OUT 15 MULTI IN/OUT
INPUT/OUTPUT	13 OSSD11 8 OSSD12
SAFETY OUTPUTS	16 F_EARTH
OTHER	

CONNECTOR (M12, 17+8-POLE)	
	SIGNAL
SPEED INPUT	8-4 MULTI IN SPEED 8-6 MULTI IN SPEED 8-5 MULTI IN SPEED 8-8 MULTI IN SPEED 8-3 MULTI IN SPEED
INPUT	8-7 MULTI IN 8-2 MULTI IN 8-1 MULTI IN