

LASER SENTINEL™ ENHANCED

your sentinel for safe area protection



Laser Sentinel Standalone Enhanced

Safety Laser Scanner Type 3,
Pl d, SIL 2

Safety Zone up to 5.5 m
2 Warning Zones up to 40 m

30/40/50/70/150 mm
detection capability
Selectable by Graphic User Interface

275° Opening Angle

Display with colour-based
Intrusion Detection System

Ethernet Port for
programming and monitoring

Partial muting **NEW**



Three levels of Dust Filter for
use in harsh environment

Compact dimensions
(152 x 102 x 112 mm)

NEW Replaceable window

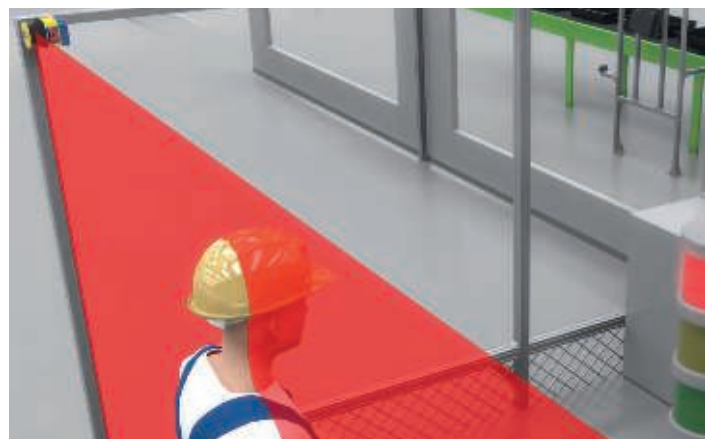
Vertical applications with
monidirectional or bidirectional
muting function.

Up to 6 zone safe set switching
with digital inputs

Pigtail with M12 8 pins connector
for standard cabling



SLS-SA5 (Standalone) can be used for horizontal static or moving applications,
as well as in vertical applications, eventually with muting function.



TECHNICAL DATA STANDALONE MODEL (SLS-SA5-08)

General data	Type (EN61496-1)	3
	PL (EN ISO 13849-1)	d
	SIL (IEC 61508)	2
Detection data	Detection capability	30/40/50/70/150 mm selectable
	Angular resolution	0.1°
	Safety zone operating range	0.05 ... 5.5 m
	Warning zone max operating range	0.05 ... 40 m
	Max. number of simultaneous warning zones	2
Electrical data	Max. opening angle	275°
	Response time (Configurable)	Min: 62 ms; Max: 482 ms
	Power supply (Vdd)	24 Vdc ± 20%
	Safety Outputs (OSSDs)	2
	Output current	0.25 A max / each OSSD
Mechanical and environmental data	Capacitive load	2.2 uF @ 24Vdc max
	Configurable Inputs/Outputs	8-pin: 3; 12-pin:4
	Operating temperature	-10...+50 °C
	Storage temperature	-20...+70°C
	Humidity	15 ... 95 % (no condensation)
Functions	Mechanical protection	IP 65 (EN 60529)
	Manual / automatic restart	
	Dynamic switching between zone sets (*2)	
	Warning area intrusion detection	
	Total or partial Muting (T or L)	
	Reference Points	
	Override (*3)	
	Muting Lamp	
	Advanced measurement data (*4)	

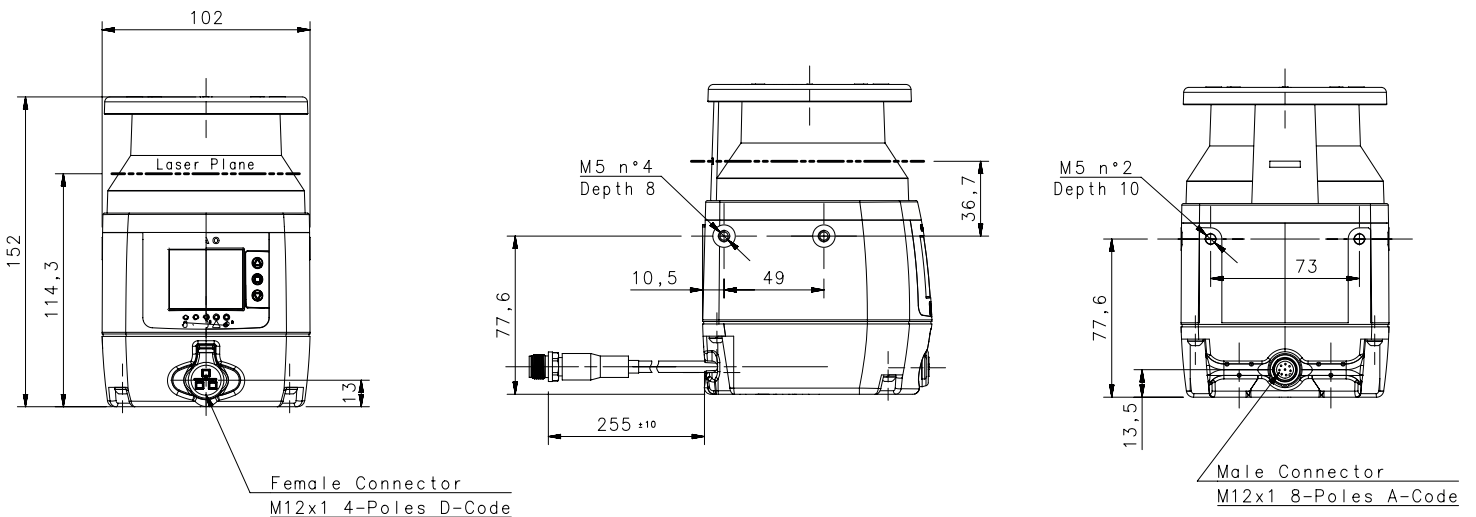
(*1) If the standard output is used, the inputs number is 2

(*2) Up to 3 zone sets available in any activation order. Up to 6 zone sets are available only in a particular sequence defined by user.

(*3) Override Input and Muting Lamp output on SLS-SA_x are mutually exclusive

(*4) Advanced measurement data include: distances of points with selectable opening angle and resolution, I/O status, active zone set identifier, beam intensity measures, diagnostic information, scan counter.

DIMENSIONS



I/O CONNECTOR

CONNECTOR (M12, 8-POLE)				
	SIGNAL	DESCRIPTION	COLOR	PIN NUMBER
POWER	POWER SUPPLY	24Vdc	BROWN	2
	GND_ISO	0 V	BLUE	7
INPUT/OUTPUT	MULTI IN/OUT	Selectable by GUI	GREEN	3
	MULTI IN/OUT	Selectable by GUI	YELLOW	4
	MULTI IN/OUT	Selectable by GUI	WHITE	1
SAFETY OUTPUTS	OSSD11	Safety Output	GRAY	5
	OSSD12	Safety Output	PINK	6
OTHER	F_EARTH	Functional Earth	RED	8

COLOR INTRUSION DETECTION SYSTEM

